

Switching unit for conductive sensors

Nivotester FTW325



€ 108.-
11-35 pcs.

- Easy wiring with terminal blocks
- Configurable sensitivity range
- Intrinsically safe signal circuit EEx ia IIC for using sensors in hazardous areas

i Specs at a glance:

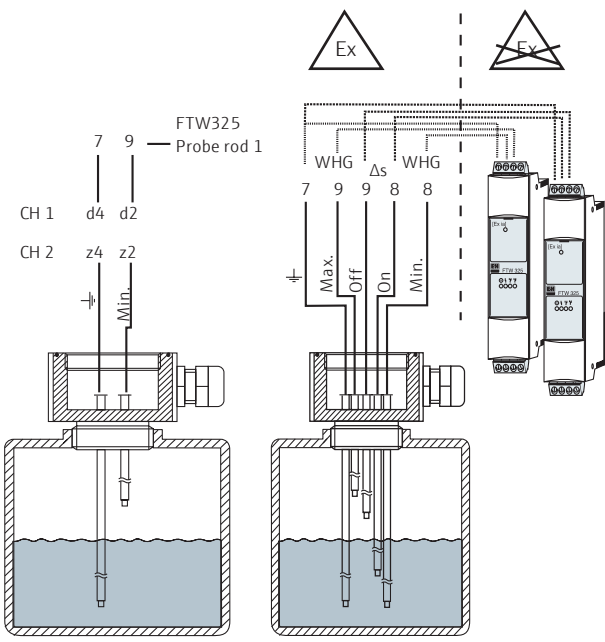
- **Product:** liquids as of 5 $\mu\text{S/cm}$
- **Approval:** ATEX II (1) GD EEx ia
- **Feeding sensors:** Conductive rod or rope sensors

Application The Nivotester FTW325 can be used for overspill protection (WHG), pump dry running protection or as a two-point control for pumps. Sensors such as the Liquipoint T FTW31/FTW32 can be connected to the FTW325. Multipoint detection for up to five measuring points is possible by using 3 Nivotester FTW325s.

Function The intrinsically safe signal input of the limit switch Nivotester FTW325 is galvanically isolated from the mains and the output. The Nivotester supplies the conductivity probes with an alternating current via a two or three-wire line and monitors its voltage. If the product reaches the switch point of the probe, the voltage between the probe and Nivotester is reduced. The output relays at the Nivotester switch depending on the set failsafe mode. Two yellow LEDs indicate the relay switch status.

Complete product information: www.e-direct.endress.com/ftw325

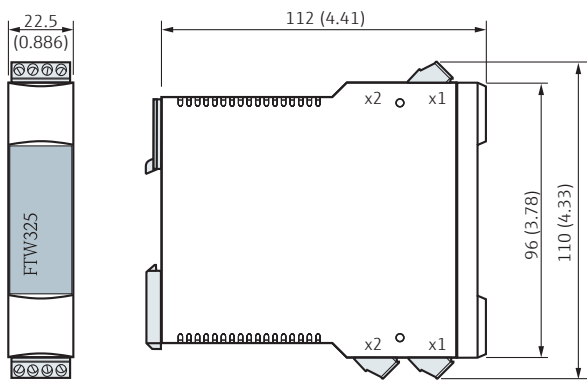
Application Example



Technical data

Input		Power supply	
Measured variable	Depending on the setting selected, the limit signal is triggered at a minimum or maximum level	Supply voltage	85 to 253 V AC, 50/60 Hz; 20 to 30 V AC / 20 to 60 V DC, max. 60 mA
Measuring range	Three resistance ranges can be set with DIL switches; 0.1 to 1.0 kΩ; 1.0 to 10.0 kΩ; 10.0 to 200.0 kΩ	Power consumption	AC-version maximum 4.5 VA DC-version maximum 1.2 VA (at U_{min} 20 V)
Input signal	Input galvanically isolated from power supply and output	Operating conditions	
Type of protection	[EEx ia] IIC	Ambient temperature	For individual mounting -20 to +60 °C for series mounting without lateral spacing -20 to +50 °C (-4 to +122 °F)
Output		Storage temperature	-25 to +85 °C (-13 to +185 °F) (preferably at +20 °C/+68 °F)
Output signal	Relay output: one floating changeover contact for the level alarm	Installation in protective housing	-20 to +40 °C (-4 to +104 °F)
Alarm relay	Floating changeover contact for fault reporting, can be switched as second level relay	Ingress Protection	IP 20
Switching delay	0.5 s; 2.0 s; 6.0 s when relay energized	EMC	Interference emission to EN 61326; electrical equipment Class B; interference immunity to EN 61326; Annex A (industrial) and NAMUR recommendation NE 21 (EMC)
Switching power of relay contacts	U~ max. 253 V; I~ max. 2 A; P~ max. 500 VA at $\cos \varphi \geq 0.7$; U- max. 40 V; I- max. 2 A; P- max. 80 W	Electrical connection	
Function indicators	Light emitting diodes for operation (gn), fault (rd), level alarm 1 (ye) and level alarm 2 (ye) light up when level relay is energized	Connection line	two core, screening not required
		Line resistance	max. 25 Ω per core
		Cross-section	max. 1×2.5 mm ² or 2×1.5 mm ²
		Approvals	
		Ex approval	ATEX II (1) GD [EEx ia] IIC
		WHG approval	Overspill protection to § 19 WHG (Germany)

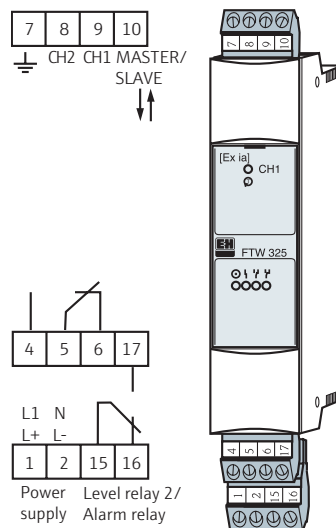
Dimensions in mm (inches)



Mounting on DIN rail (EN 60715 TH35)

Installation according to instruction manual.

Electrical connection



Price table

Nivotester FTW325		Order no.	Price/pcs. in €		
Power Supply	Approval		1 to 3	4 to 10	11 to 35
85 to 253 V AC	Non Ex	FTW325-A2A1A	123.-	114.-	108.-
	Non Ex, WHG and leakage	FTW325-B2A1A	139.-	129.-	122.-
	ATEX, WHG and leakage	FTW325-C2A1A	154.-	143.-	135.-
20 to 30 V AC, 20 to 60 V DC	Non Ex	FTW325-A2B1A	123.-	114.-	108.-
	Non Ex, WHG and leakage	FTW325-B2B1A	139.-	129.-	122.-
	ATEX, WHG and leakage	FTW325-C2B1A	154.-	143.-	135.-

Accessories	Order no.	Price/pcs. in €
Housing Field, R4 182×180×165, 5×M20, PC	52010132	74.96

Prices are applicable for Latvia until 30/06/2020, in Euro per unit, net excluding value added tax (VAT), cost of packing and dispatch.
Endress+Hauser retains the right to change or modify pricing at any time. The terms of sales and delivery of Endress+Hauser are applicable.
Current prices and delivery times can be verified prior to ordering on www.e-direct.endress.com.



Complete product information:
www.e-direct.endress.com/ftw325

More products to complete
your measuring point ...



Point level switch
Liquipoint T FTW31



Temperature sensor
iTHERM ModuLine TM101



Data manager
Ecograph T RSG35